

Microwave Specialty Company

A division of Rantec Microwave Systems
520 E. Carmel Street, San Marcos CA, 92078-4406
Tel (760) 744-1544 Fax (760) 744-1565 www.microwavespecialty.com

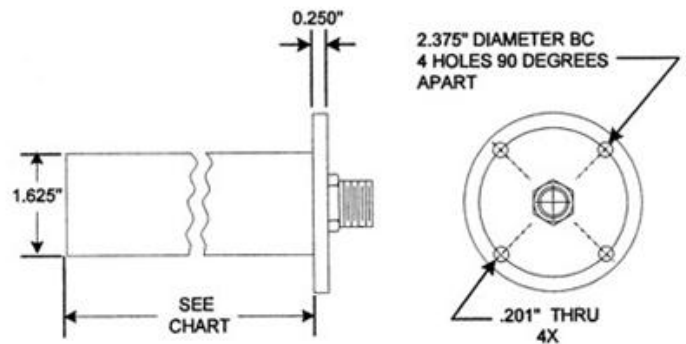
Linear Omni Antennas



Microwave Specialty Company manufactures vertically polarized omni directional antennas designed for high strength requirements such as vehicle rooftop mounting, fixed wing aircraft, and helicopters. MSC omni antennas cover a wide range of frequencies from 400 MHz – 7 GHz.

MSC's unique omni design results in a groundplane independent antenna, which has a stable antenna pattern across its frequency band. A fiberglass radome protects each omni antenna, which is filled and sealed to prevent vibration.

Common Antenna Features	
Frequency	See reverse side for frequency matrix
Gain	2, 4.5, or 6 dBi
Elevation Beamwidth	72 degrees @ 2 dBi 35 degrees @ 4.5 dBi 25 degrees @ 6 dBi
Azimuth Beamwidth	360 degrees omni
VSWR	1.5:1 Typical
Polarization	Vertical
Interface	Type N or SMA (f)
Diameter	1.625 inches
Length	See reverse side
Mechanical Interface	Thru hole flange, others available



Linear Omni Directional Antenna Frequency Matrix

Part Number	Frequency (GHz)	Gain (dBi)	Elevation BW	Length
00-60445-2	1.2-1.4	2	72	8
00-60445-45	1.2-1.4	4.5	35	12
00-60445-6	1.2-1.4	6	25	15
00-60446-6	1.34-1.41	6	25	15
00-60447-6	1.4-1.55	6	25	15
00-60448-6	1.65-1.73	6	25	12
00-60449-2	1.7-1.85	2	72	7.5
00-60449-45	1.7-1.85	4.5	35	6
00-60449-6	1.7-1.85	6	25	12
00-60450-6	1.98-2.11	6	25	12
00-60451-6	1.98-2.17	6	25	12
00-60452-6	1.99-2.11	6	25	12
00-60453-2	1.99-2.5	2	72	6
00-60453-45	1.99-2.5	4.5	35	10
00-60454-2	1.99-2.7	2	72	6
00-60455-2	2.0-2.2	2	72	6
00-60455-45	2.0-2.2	4.5	35	10
00-60455-6	2.0-2.2	6	25	12
00-60456-2	2.0-2.4	2	72	6
00-60456-45	2.0-2.4	4.5	35	10
00-60457-6	2.1-2.3	6	72	12
00-60458-45	2.0-2.5	4.5	35	10
00-60459-2	2.2-2.4	2	72	6
00-60459-45	2.2-2.4	4.5	35	10
00-60459-6	2.2-2.4	6	25	12
00-60460-6	2.3-2.5	6	25	12
00-60461-45	2.4-2.5	4.5	35	10
00-60462-45	2.45-2.7	4.5	35	10
00-60462-6	2.45-2.7	6	25	12
00-60463-6	3.1-3.35	6	25	12
00-60464-45	3.1-3.5	4.5	35	10
00-60465-2	3.2-3.6	2	72	6
00-60466-2	3.3-3.7	2	72	6
00-60466-45	3.3-3.7	4.5	35	10
00-60467-45	4.2-5.2	4.5	35	12
00-60468-2	4.4-5.0	2	72	6
00-60468-45	4.4-5.0	4.5	35	10
00-60468-6	4.4-5.0	6	25	12
00-60469-45	4.8-5.0	4.5	35	10
00-60470-2	5.16-5.85	2	72	6
00-60471-6	5.25-5.85	6	25	12
00-60472-55	6.4-6.55	5.5	27	12
00-60472-6	6.4-6.55	6	25	12